

Insulated Roof Systems

Elite Aluminum Corp. is the world's leading manufacturer of pre-finished insulated panels for sun rooms, glass rooms, screen rooms, canopies, walkways and other types of covers for residential and commercial applications. Elite's patented interlocking designs are attractive, structurally sound and engineered to withstand the most extreme weather conditions. What's more, Elite panels are affordable, easily installed and guaranteed to last.

Our panels use a high-density polystyrene core designed to our specifications for superior strength and exceptional thermal insulation. We laminate using a variety of materials, including aluminum, steel, plywood or strand board. Elite roof panels are structurally designed to allow the application of shingles, tile, architectural metal or other aesthetic covering. Decorative aluminum trim caps the ends for an eye-pleasing finish.

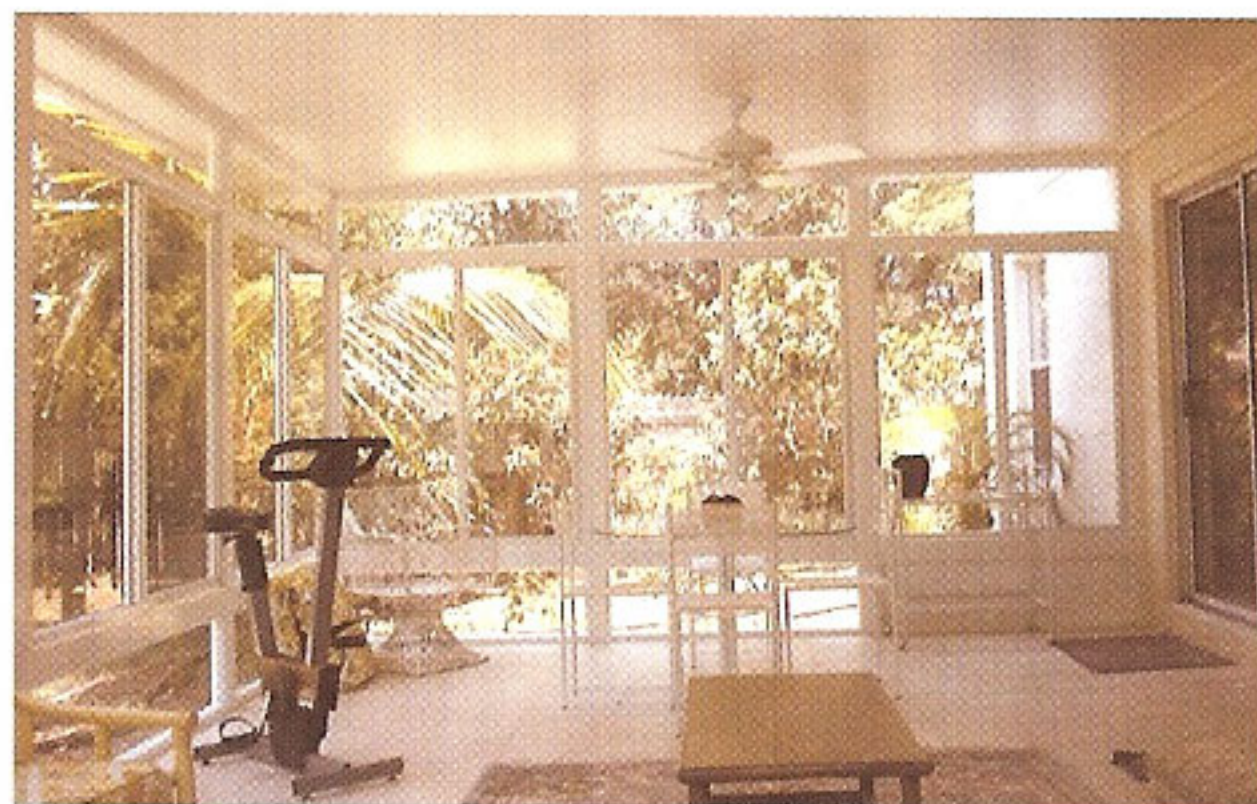
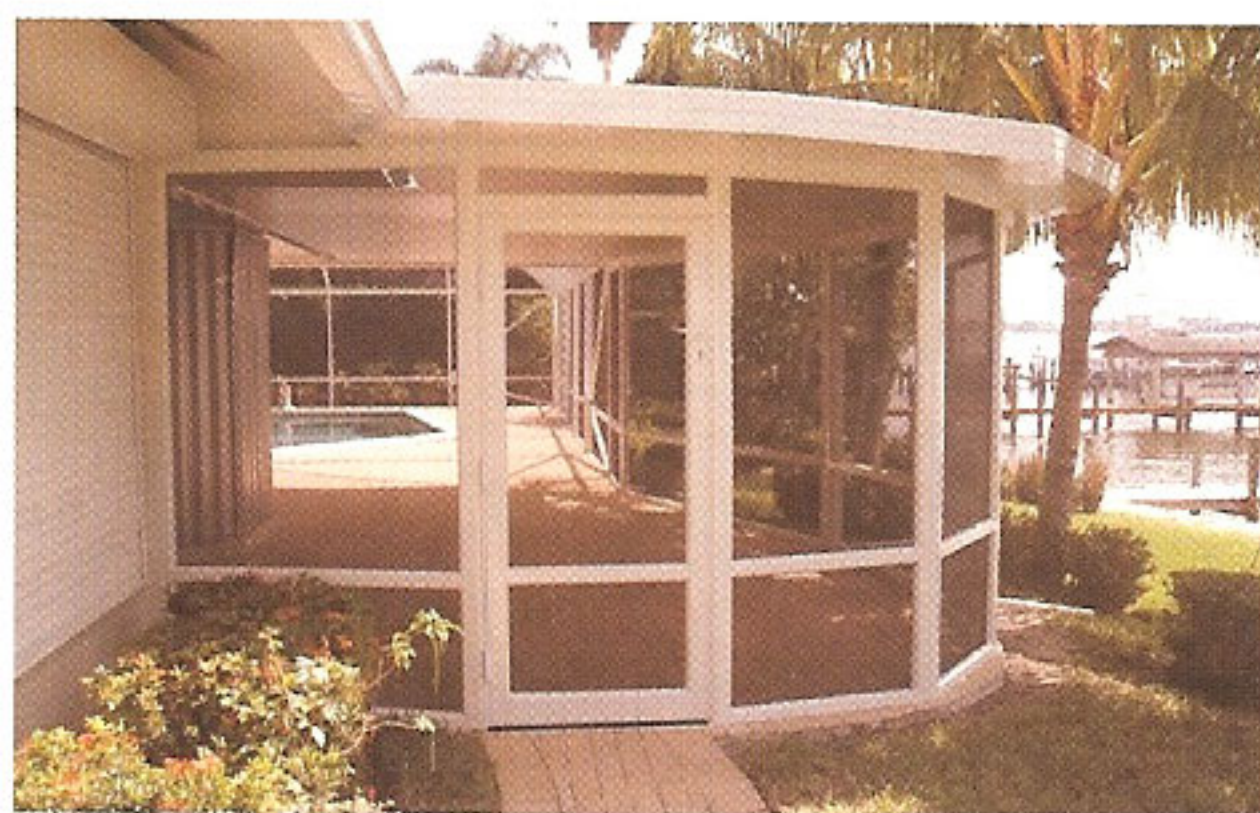


Value for your home.

Enjoyment for your family.

Elite panels are manufactured by skilled craftsmen in a quality controlled environment using only top-grade materials and state-of-the-art equipment to meet the highest standards of workmanship in the industry. Our insulated roof systems carry a full 10-year warranty against cracking, crazing, chipping, peeling, blistering or delaminating.

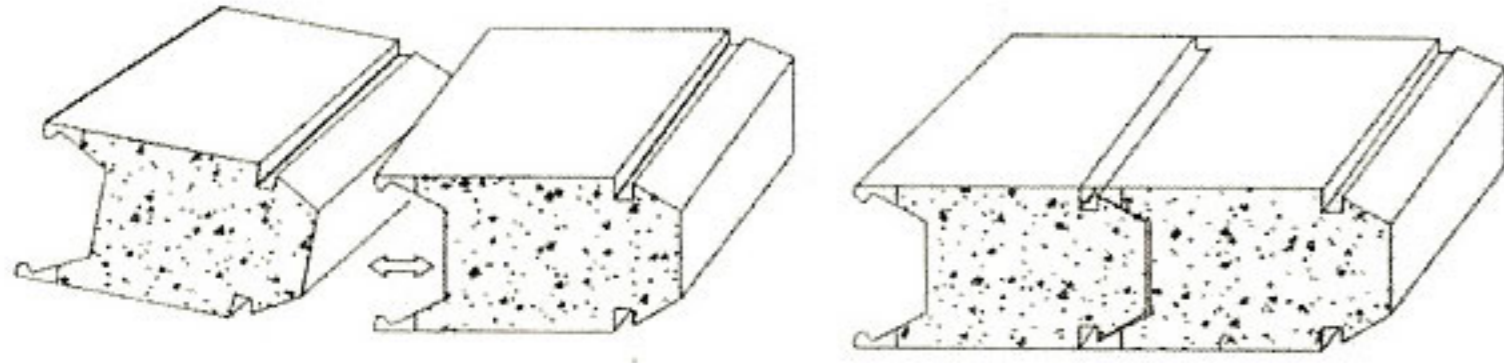
Installing an Elite system will enhance the value of your home as well as your lifestyle. Imagine relaxing or entertaining outdoors without worrying about the rain or the sun – or the disruption and damage they can cause. Our roof systems are adaptable to new or existing homes and can be designed to complement your current roof design, providing years of beauty and enjoyment. So go ahead, choose an Elite roof panel system and enjoy more of the great outdoors!



Elite's Insulated Roof Systems

Elite's interlocking roof systems are the only panel in the industry to offer locking design options allowing you to choose the method that best suits your needs.

The Elite Locking System



- Deep-set connection for positive lock
- Internal drainage system
- Double sealant reservoir
- Reinforced connecting edge
- Interlock design for free movement



Elite roof panels can accommodate shingles or other cosmetic covering.

Features and Availability

- Light weight, yet extremely strong
- Highly insulated
- Aesthetically pleasing
- Skylight & ceiling fan adaptable
- Full 10-year warranty
- Widths: 4', 2'
- Thickness: 3", 4", 6", 8"
- Lengths: to 40'
- Variety of colors
- Variety of facing options

All Elite panel systems are fully engineered to meet or exceed the most rigid building codes.

Panels available in: white, ivory, almond and bronze aluminum. (No warranty on bronze.)

Crest Aluminum